



ICE MAKERS

SERVING THE FOOD INDUSTRY SINCE 1951

40-KG/88-LBS CAPACITY ICE MAKER

Item: 27936

Model: IC-CN-0040



- ENERGY EFFICIENT**
- ICE THICKNESS IS ADJUSTABLE**
- CONVENIENT TO OPERATE**
- EASY TO INSTALL**



WARRANTY
PARTS AND LABOR



Authorized Dealer

ICE MAKERS

40-KG/88-LBS CAPACITY ICE MAKER



Features:

- Stainless steel body with plastic door
- Foaming body
- Come with an ice scoop
- Produces ice cube shape
- Ice making type: Water-flow
- Max. 88 lbs. ice storage
- Micro-computer electronic control technique
- 6" height adjustable feet
- Excellent insulation to maintain cool temperature
- Condenser unit: air-cooled
- Automatic cleaning function

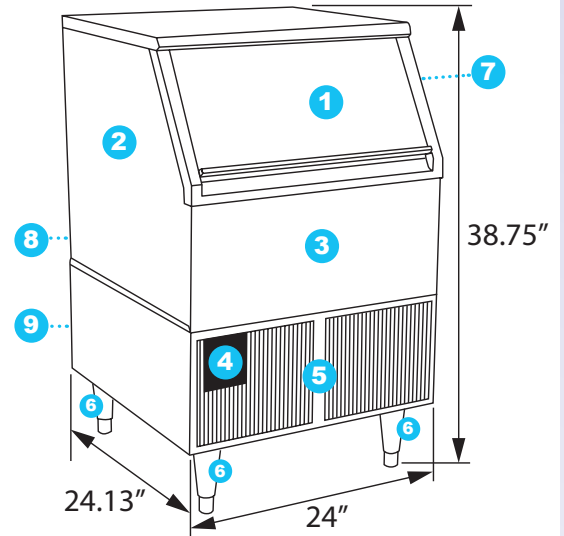


CUBE SHAPE
Adjustable Thickness

TECHNICAL SPECIFICATION

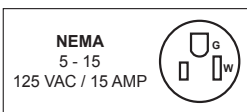
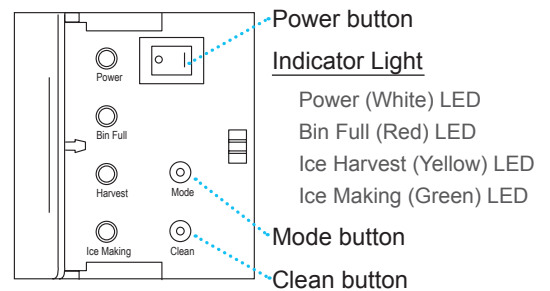
ITEM NUMBER	27936
MODEL	IC-CN-0040
MAX. PRODUCTION	120 kg/ 264 lbs. per day
MAX. ICE STORAGE	40 kg/ 88 lbs
ICE SHAPE	Cube
ELECTRICAL	115V / 60Hz / 1Ph
POWER	1058w
CURRENT	9.2A
REFRIGERANT	R404a, 680g
WEIGHT	143.25 lbs./ 65 kg
PACKAGING WEIGHT	161 lbs./ 73 kg
DIMENSIONS	24" x 24.13" x 38.75" 609.6 x 613 x 984.3 mm
PACKAGING DIMENSIONS	26.25" x 26.5" x 39.5" 666.8 x 673 x 1003 mm

Components:



1. Plastic door
2. Stainless steel body
3. Ice storage bin
4. Electronic control panel* cover
5. Front bottom louver
6. Adjustable feet
7. Water inlet
8. Power supply line
9. Water outlet

*Electronic control panel:



WARRANTY
PARTS AND LABOR



OMCAN INC.

Telephone: 1-800-465-0234
Fax: (905) 607-0234
Email: sales@omcan.com
Website: www.omcan.com



Follow us to keep up to date with the latest news and offers



2015.E.O.E